



**BUILD**  

---

**L I T E**

Build-Lite (UK) Ltd. Kingsforth Road, Thurcroft, Rotherham, S66 9HU  
Tel: 01709 242210 / [sales@build-liteuk.co.uk](mailto:sales@build-liteuk.co.uk) / [www.build-liteuk.co.uk](http://www.build-liteuk.co.uk)

# Parapet Coping System Fitting Instructions





## Summary of Materials & Equipment Required

### Materials Supplied as part of Build-Lite Coping System:

- Hertalan KS 137 Contact Adhesive
- Hertalan KS 96 Sealant & Bonding Adhesive
- Hertalan Easy Cover EPDM Waterproofing Membrane
- Sika Activator 205 Adhesion Promoter
- SikaFlex 508 Moisture Curing Adhesive
- Everbuild Silicone 825 Coloured Pointing Mastic
- Stainless Steel L-Shape Fixing Brackets (60x30mm)
- 50-60mm Dowels

### Materials Not Supplied as part of Build-Lite Coping System:

- 18mm Marine Grade Plywood
- 10mm Foam Backer Rod
- Hilti HUS-P6 - For use with brickwork and/or blockwork
- M6 x 100mm Wood Screws - For use with timber frame only
- 30mm Wood Screws

### Equipment Required (Not supplied by Build-Lite)

- Drill & Screwdriver
- Tape Measure
- Fine Toothed Hand Saw
- Sharp Bladed Knife
- Paint Roller
- Seam Roller
- Mastic Applicator Gun
- Lint Free Paper Towels

#### Important

Upon delivery of Stone-Coat copings, please ensure units are kept in a dry and cool area whilst still inside the packaging and prior to installation.

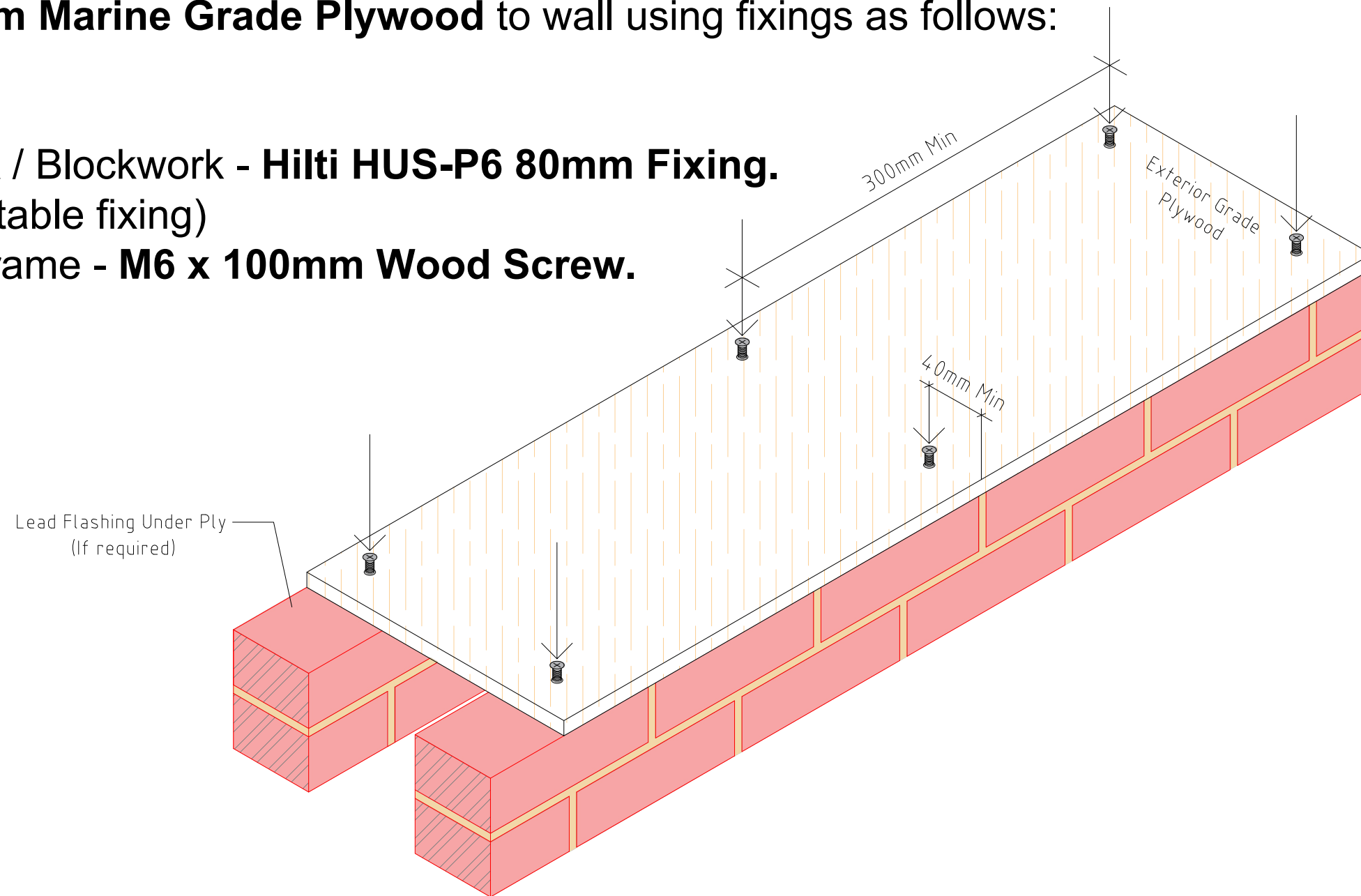


- Ensure top surface of wall is clean and free of grease/dust.
- If required, apply lead flashing (to manufacturers recommendations). Ideally, lead fitted underneath the ply.
- **18mm Marine Grade Plywood** should be cut to suit wall thickness.
- Ensure a tight butt joint between plywood sheets.
- Fix **18mm Marine Grade Plywood** to wall using fixings as follows:

For Brickwork / Blockwork - **Hilti HUS-P6 80mm Fixing**.

(or similar suitable fixing)

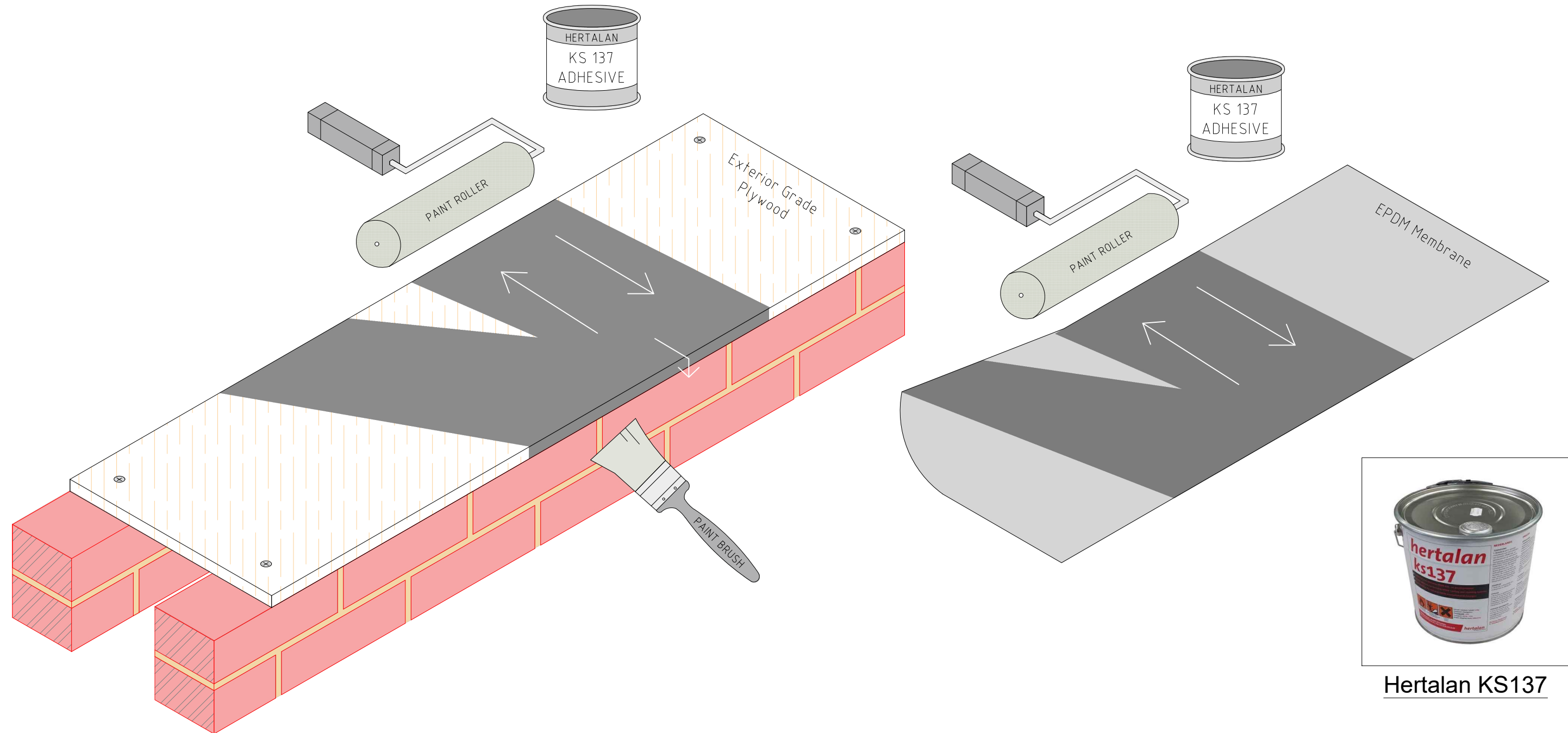
For Timber Frame - **M6 x 100mm Wood Screw**.



- Fixings should be spaced at minimum 300mm centres
  - Fixings should be located a minimum of 40mm from edge of plywood.
  - Ensure screw heads are countersunk and not protruding from top of plywood.
  - Ensure junction between substrate & plywood is waterproofed.
- Note: A fire barrier must be installed to close the cavity below the coping system (As detailed in NHBC Standards Chapter 7.2.20)



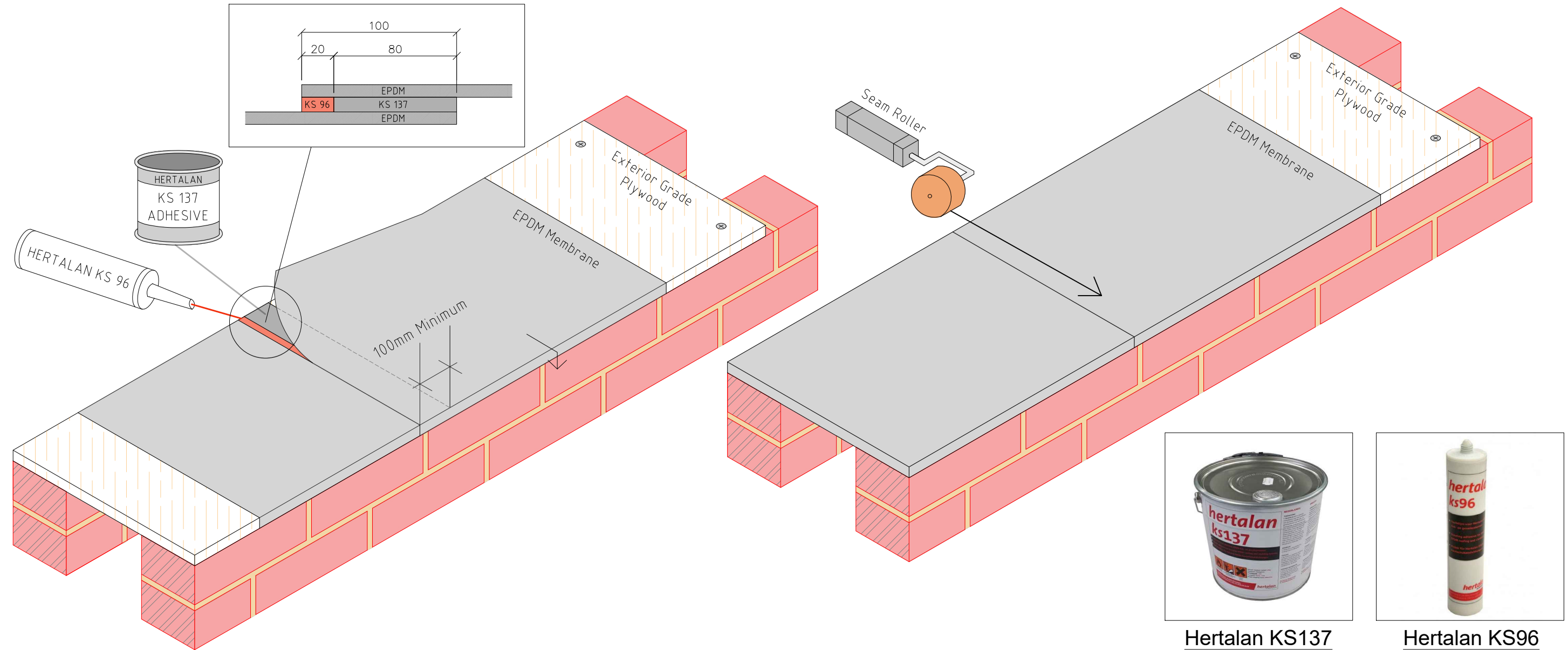
- Ensure the plywood substrate is dry, clean and free from dust & grease.
- Cut the **Hertalan Easy Cover EPDM Waterproofing Membrane** to required size using a sharp blade.
- Ensure you have sufficient material to cover the side edges of the plywood.



Hertalan KS137

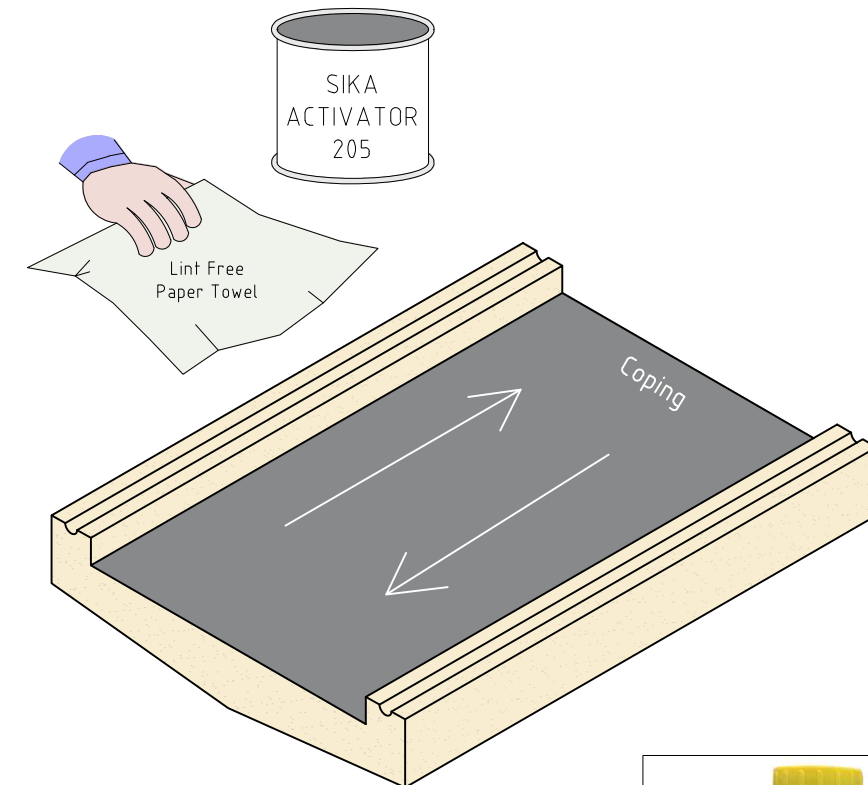
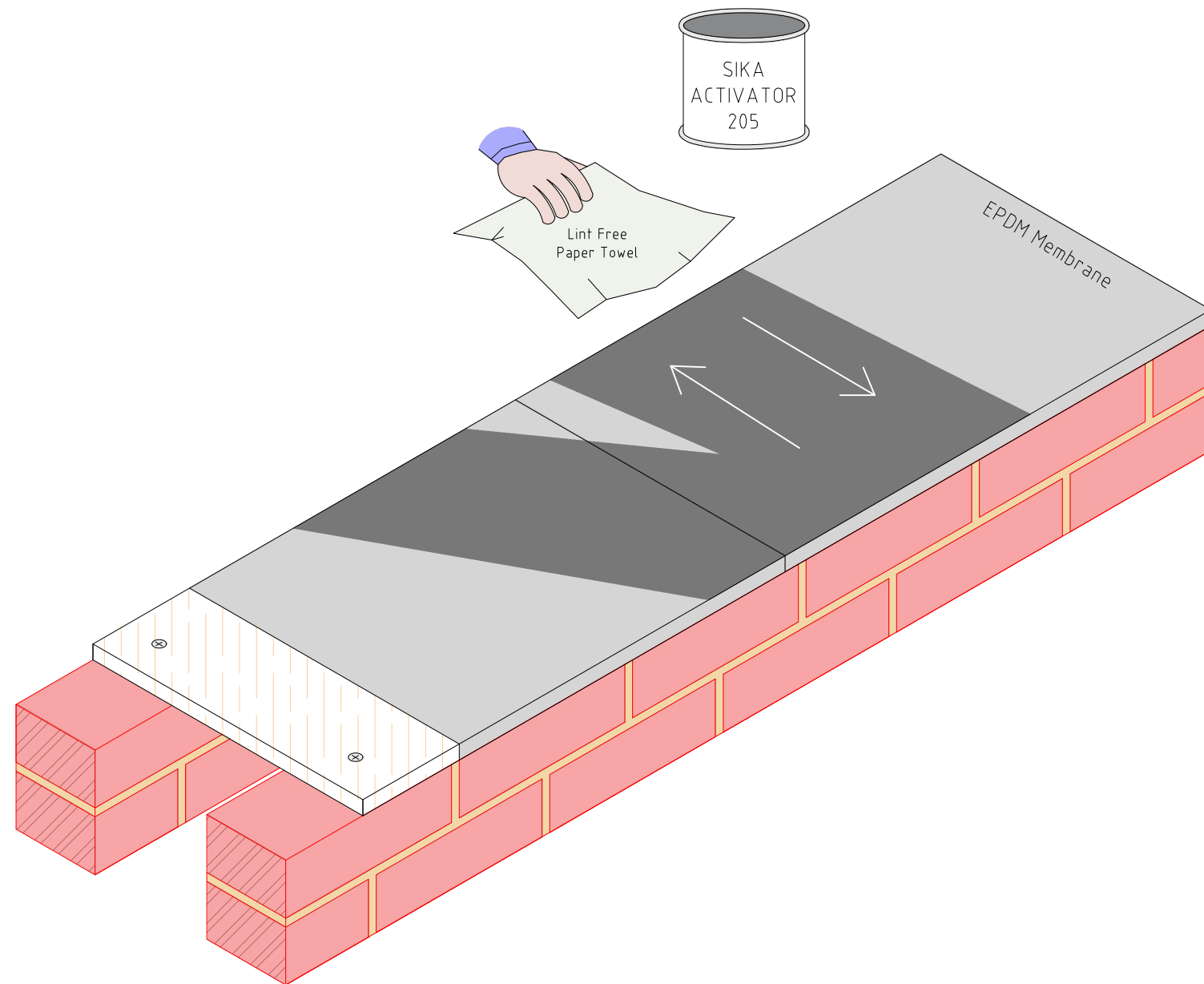
- Using a paint roller and brush, evenly apply **Hertalan KS 137 Contact Adhesive** to the plywood substrate at a rate of 300-350g/m<sup>2</sup>, ensuring 100% coverage to the top and side edges.
- Apply **Hertalan KS 137 Contact Adhesive** to the underside of the EPDM membrane.
- Once applied, leave to dry for between 5 and 20 minutes before applying the membrane to the substrate (ambient weather conditions may affect drying times. Minimum application temperature 5°C).

- Lay the **Hertalan Easy Cover EPDM Waterproofing Membrane** out flat onto the substrate, ensuring no folds or ripples.
- The EPDM membrane should cover the entire plywood substrate, including the side edges.
- Press the EPDM membrane firmly onto the plywood substrate to ensure a good bond. Use a seam roller to flatten the membrane down, if required.
- On raking/pitched parapets, always start from the bottom and work upwards, to ensure joints face downwards.



- EPDM Membrane joints should be overlapped by 100mm (minimum).
- To bond and seal the joint, apply an 80mm wide strip of **KS 137 Contact Adhesive** to the edge of the lower sheet of EPDM membrane and a 20mm strip of Hertalan KS 96 Sealant & Bonding Adhesive to the edge of the upper sheet (see detail).
- Press the upper sheet of EPDM Membrane down flat onto the lower sheet and roller the joint with a seam roller to ensure a good bond.
- Avoid jointing the EPDM membrane directly over a plywood joint.

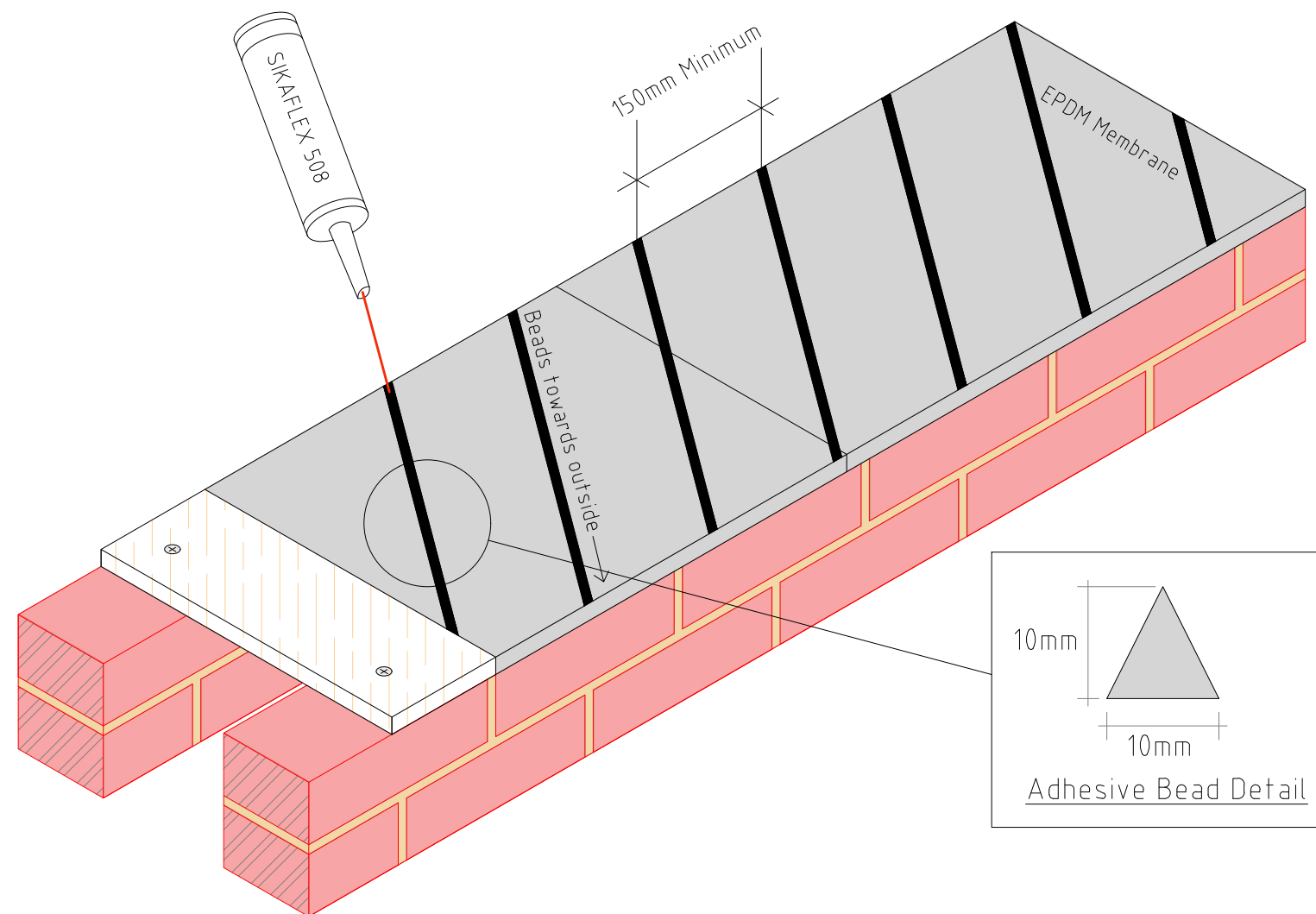
- Once EPDM Membrane is laid, ensure surfaces are clean, dry and free of contaminants.
- Using a lint-free paper towel, apply **Sika Activator 205** sparingly to the top surface of the fixed EPDM membrane and the underside of coping to be fitted.



Sika Activator 205

- Once **Sika Activator 205** has been applied, the adhesive (see next steps) and coping must be installed within a 2 hours period, or the above process must be repeated.

- Apply **SikaFlex 508 Moisture Curing Adhesive** in 10mm beads, at a minimum of 150mm centres.
- Adhesive beads should be applied diagonally, towards the outside of the wall.
- Adhesive bead should be a triangular shape at least 10mm high. Cut applicator nozzle accordingly.



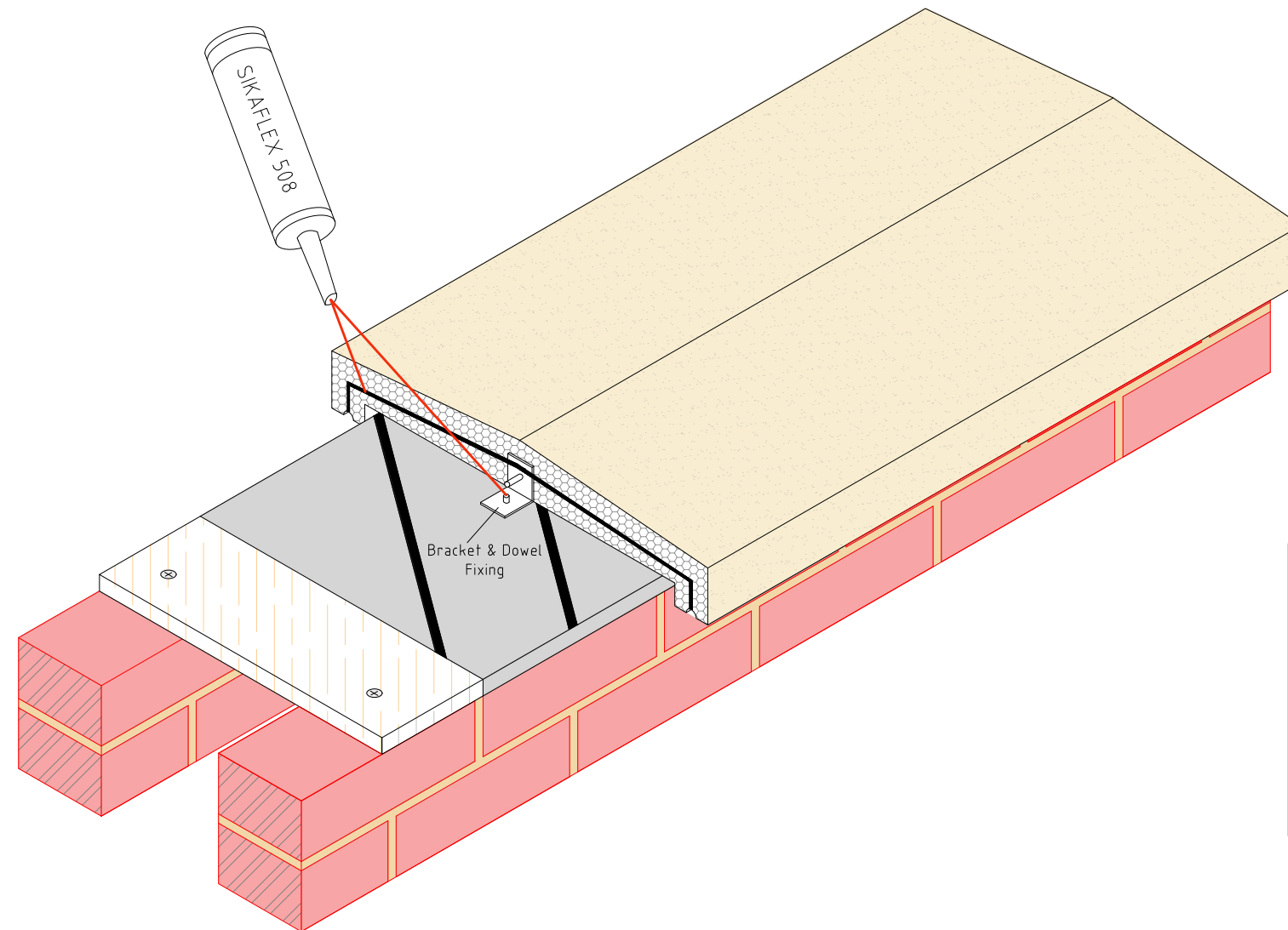
SikaFlex 508

- Ensure the adhesive is applied in a continuous bead from one side to the other.
- **SikaFlex 508 Moisture Curing Adhesive** to be applied in ambient temperatures between 5 - 40°C.
- Note: It is important to ensure that adhesive is applied as shown.



- Lay copings, starting with factory formed corners and junctions first.
- Work away from factory formed corners and junctions to ensure that any cut sections of coping are sandwiched toward the middle of the run.
- Allow a 6mm joint between coping pieces.
- Mechanically fix coping to plywood using:

**60 x 30mm L-shaped Stainless Steel Bracket** (more than one may be required per unit)  
**30mm Wood Screw**



SikaFlex 508

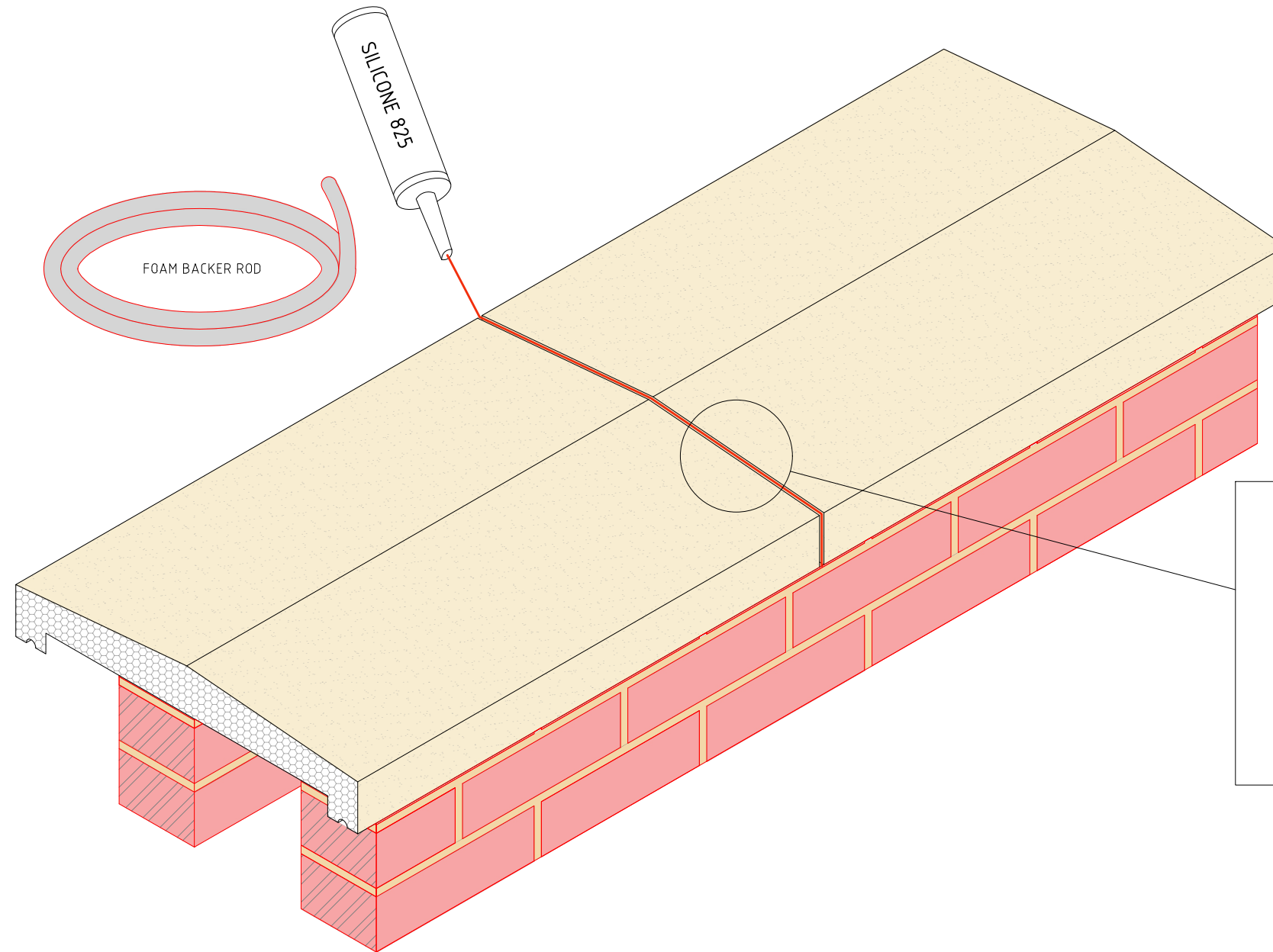
- Apply a small amount of **SikaFlex 508 Adhesive** to the top of the wood screw to ensure a weatherproof detail.
- Dowel coping pieces together using 50-60mm Dowel supplied. These can easily be pushed into the end of the coping unit.
- Apply a 10mm bead of **SikaFlex 508 Adhesive**, angled downwards, to end of the coping before fitting the next piece.
- Ensure you leave a 10mm gap between the adhesive to the coping profile top to allow space for Backer Rod and Sealant.



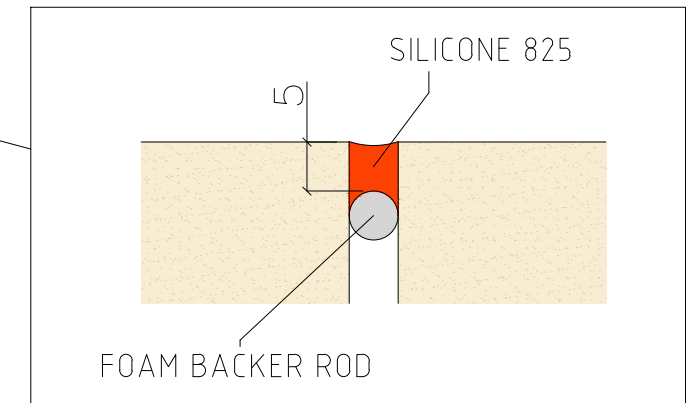
- Cut **10mm Foam Backer Rod** to required length.
- Insert 10mm Foam Backer Rod (not supplied by Build-Lite) into the junction between coping pieces, to a depth of approx 5-6mm below the surface.



**10mm Foam Backer Rod**  
(not supplied by Build-Lite)



**Silicone 825**



- Apply **Everbuild Silicone 825** to completely fill the joint down to the **Foam Backer Rod**.
- Smooth off sealant as required.